

Lotus Bay

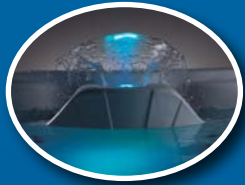
The Bay Collection



M-Drive



Massage Sequencer



LiquidFX



2 NeckFlex Pillows



UltraPure Plus

Shell Colors



UltraLife Jasper Obsidian Opal Graphite



Tanzanite Moonstone Sunstone Sand

Architectural Trim

ENVIROTECT



Tan Brown Gray



Oak Cherry Cattails

Specifications

Dimensions **91" L x 91" W x 40" H**

Seating **7**

Jets **69 jets**

Electrical **240V, 40/50A**

NeckFlex Jet Pillows **2**

Water Management **UltraPure Plus**

Full-Foam Insulation **Standard**

Liquid FX **Standard**

Stereo **Optional**

Features



Pumps



Persons



Jets



NeckFlex Jet Pillows



UltraPure Plus



M-Drive



Liquid FX



DIMENSION ONE SPAS®

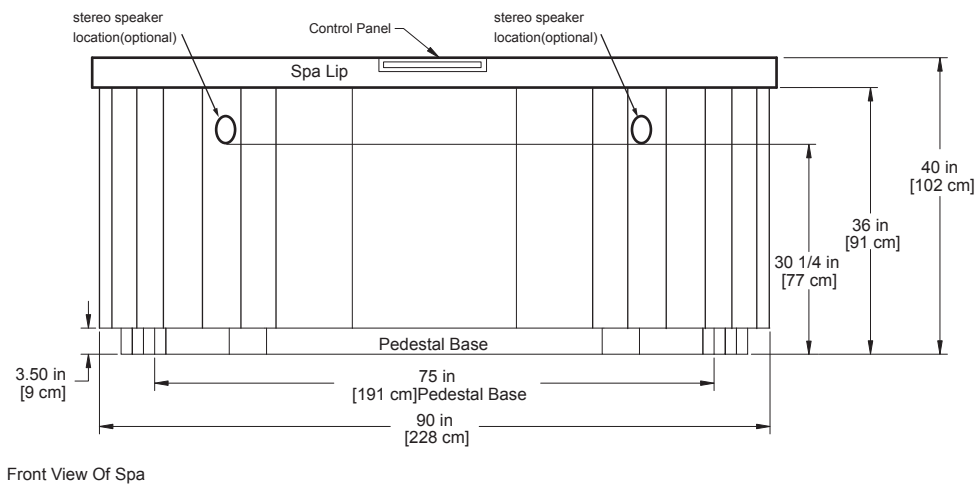
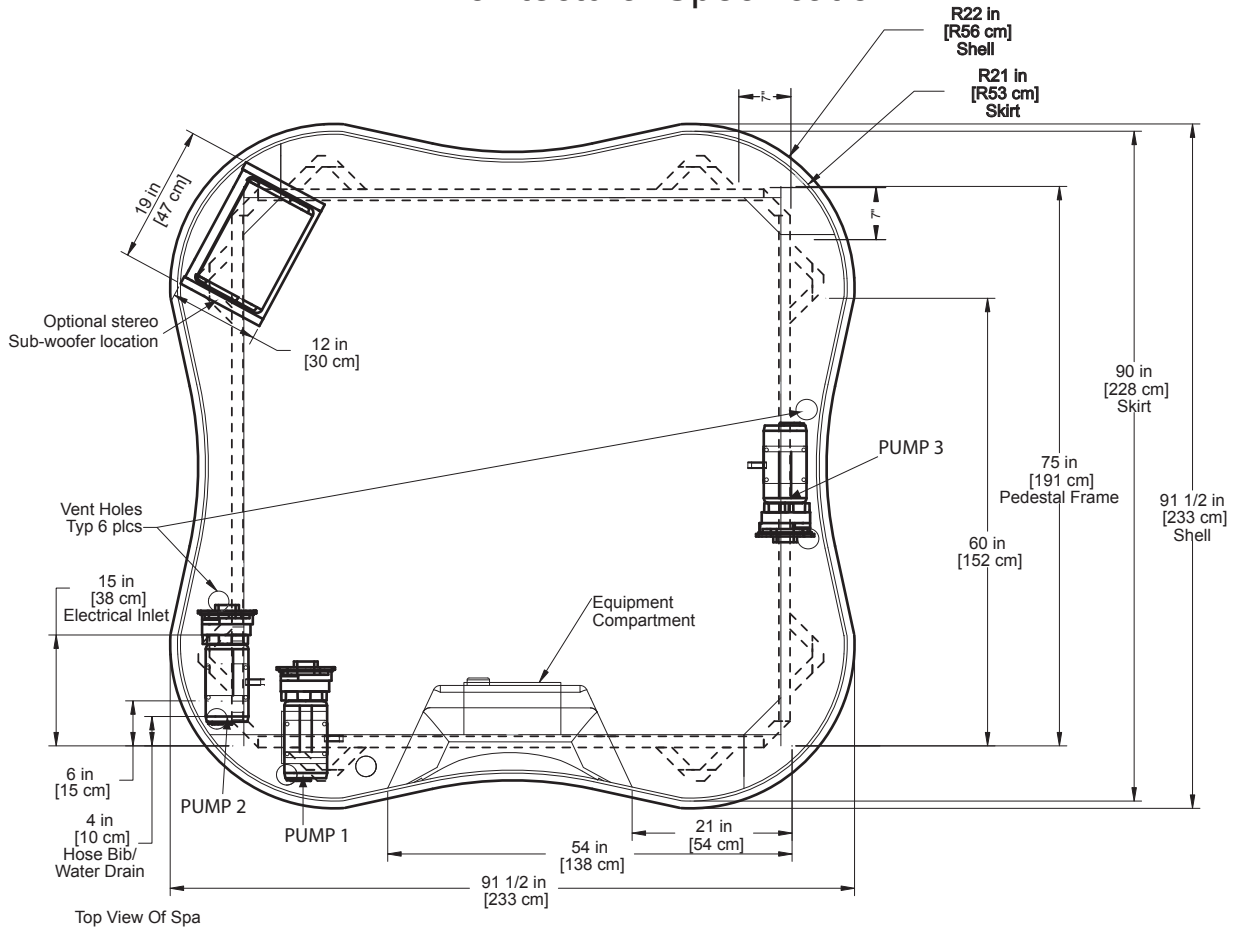
www.d1spas.com

General		
Shape	Free form / Square	
Seating Capacity	7	
Shell Material	Ultralife™ / Geloy®	
Dimensions	91 1/2" x 91 1/2" x 40" H / (233cm X 233cm x 102cm H)	
Corner Radii	22" (56 cm)	
Water Capacity	375 Gallons (1420 Liters)	
Dry Weight	1100 lbs (499 kg)	
Shipping Weight	Domestic 1100 lbs (499 kg) - Export 1150lbs (531 kg)	
Full Weight	4225 lbs (1917 kg)	
Skirt Material	Synthetic	
Poly Floor	Yes	
Water System		
Water Treatment System	UltraPure® PLUS	
Plumbing Systems	5	
Filters/Coverage	2 / 75 sq. ft.	
Gate Valves	6	
VCR Jet® - Air Adjustable/Directional	2	
VCR Jet® - Rotator	6	
VCR Jet® - Dual Rotator	0	
VCR Jet® - Multi Port Spinner	0	
VCR Jet® - Mini Rotator	22	
VCR Jet® - Mini Directional	4	
VCR Jet® - Euro Directional	12	
VCR Jet® - Euro Rotator	14	
VCR Jet® - Mini Directional in NFJ	8	
Typhoon Jet	1	
Ozone Jet	1	
Heater Return Jet	1	
Pump Returns	6	
Diverter Valves	2	
Floor Drains	1	
Skimmer	8" Weir	
Special Features		
Dynamic Massage Sequencer w/ control panel	Yes	
NeckFlex® Jet Pillows	2	
Headrest Pillows	4	
Stereo system	Optional Poly-Planar	
Water Feature	Yes	
Water Feature Volume control	Yes	
Cup Holders	4	
Tactile Therapy	Floor pedestal	
Under water magnetic switch	Yes	
Air Control Valve	No	
Pump Information		
	Domestic (60Hz)	Export (50Hz)
Motor Size – Peak (Continuous) HP	3.6 (2.0) HP	3.6 (2.0) HP
Jet Pumps # of Pumps/Speed	One / Dual & Two / Single	One / Dual & Two / Single
Circulation pump	1	1
Fountain pump	1	1
Electrical System		
	Domestic (60Hz)	Export (50Hz)
Voltage	240	240
Amperage	50/40	2X16 / 1X32 3X16
Heater	FastFlo 2.7, 4.0, 5.5 kW	FastFlo 3.3 kW 2.1, 5.2 kW
Thermostat	Electronic	Electronic
Light	2 Multi color LED	2 Multi color LED
Control System	MSPA-MP-D16	MSPA-MP-D14-CE
Upper Control (programmable)	M-Drive with Scrolling Message Center	M-Drive with Scrolling Message Center
Auxiliary Upper Control	No	No



Note: 1. Subject to change without notice.

Lotus Bay Architectural Specification



Caution:
 Due to manufacturing tolerances there could be some minor differences between the actual spa and the drawing above. If site planning is critical to such tolerances, be sure to measure your actual spa.

- Note:**
1. Subject to change without notice.
 2. Engineering specs may differ slightly from brochure.
 3. For E-Z lifter installation allow 18" (45.72cm) clearances on the backside of the spa.
 4. Alternative cabinets may add significant weight. Ask your dealer for exact details